

# ENTERPRISE TABLET LITE™

DESIGNED, ENGINEERED AND BUILT FOR BUSINESS APPLICATIONS

We've expanded our design innovation and retail security expertise into the enterprise tablet marketplace, creating a fully integrated system that offers complete security, integration and connectivity – all while maintaining the mobility, simplicity and ease-of-use that makes the tablet such a revolutionary tool for businesses.

## DESIGN BENEFITS

### Easy to Interact with Tablet

- Multiple orientations
  - Rotate to portrait or landscape orientation
  - Swivel rotation from 180° to 0 to 180°
  - Tilt 90° for 'table top' orientation
- Quick release with integrated hand strap behind case — allows easy, single-hand hold and carry

### Complete Integration

- Universal connection base secures and powers the tablet, making it easy to set up
- Turns tablets into fully functional workstations
- Enterprise Tablet Case™ keeps the tablet secure and protected while being fully functional
  - Protects tablet against drops, falls, and wear-and-tear
  - Allows full access to ports, whether docked or undocked

### Easy Release RFID Card Locking Technology

- Unlocks with one swipe of a card for single hand release
- Auto-locks when inserted into base, so tablet is secure and charging
- Tablet Quick Release feature in event of a power outage means you're always in control of your tablet
- Easy to read LED system:
  - Green = connected, secure and charging
  - Blinking Green = RFID card has unlocked Tablet Case™
  - Red = Tablet Case™ is removed from universe docking port



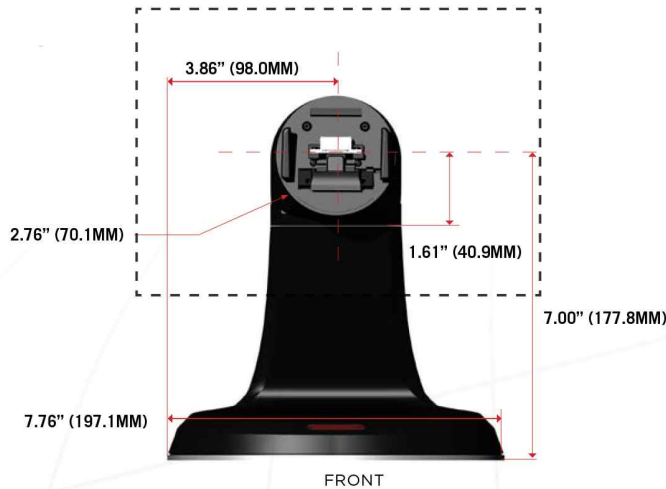
**AGM**  
Retail Technology Solutions

[www.agmincorporated.com](http://www.agmincorporated.com)

Tel/Fax: 632 631.0535 | [sales@agmincorporated.com](mailto:sales@agmincorporated.com)

# ENTERPRISE TABLET LITE™

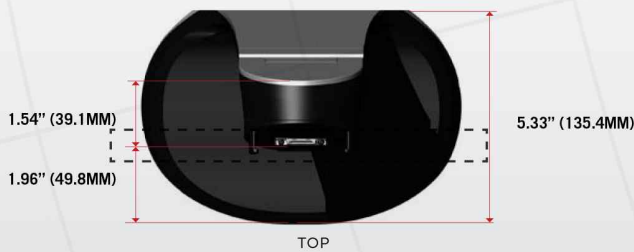
PRODUCT SPECIFICATIONS



FRONT



SIDE



TOP



Multiple tilt, pivot and swivel orientations.



Place RFID on the base to release the Enterprise Tablet Case™



Front View



Wall Mount



Dimensions with Tablet Case™

**APPLE IPAD 4:**

Landscape: 10.85" (275.6 MM)  
Portrait: 11.93" (303.0 MM)

**APPLE IPAD MINI:**

Landscape: 10.85" (275.6 MM)  
Portrait: 11.93" (303.0 MM)

Dimensions with Tablet Case™

**APPLE IPAD Air:**

Landscape: TBD  
Portrait: TBD

**APPLE IPAD 2/3:**

Landscape: TBD  
Portrait: TBD